

# 1/2 HP 13" SAND & PUMP FILTER SYSTEM SCHEMATICS



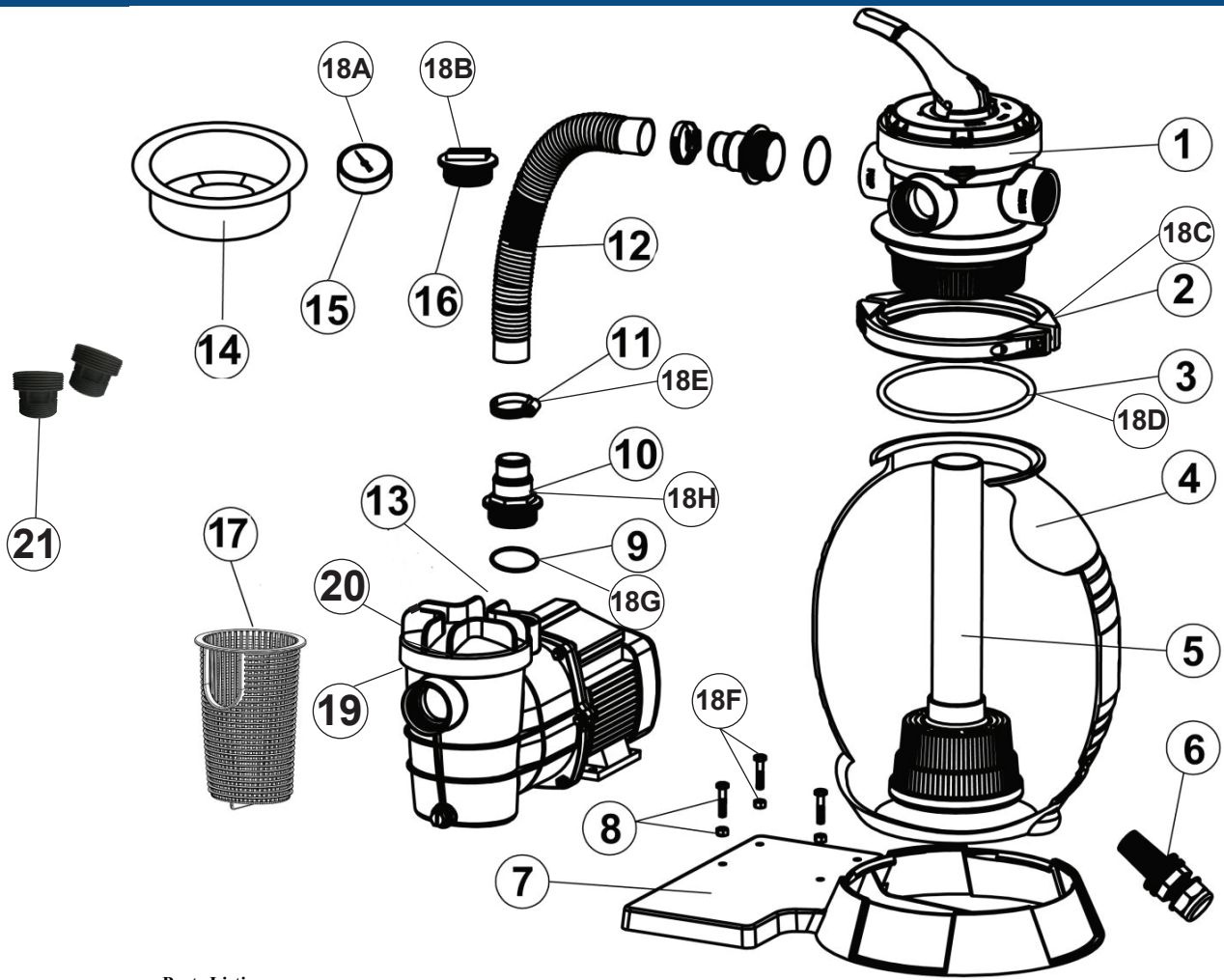
*Rethinking Energy Usage!*



**30 GPM TEFC MOTOR POOL PUMP**  
**QUIET PERFORMANCE**  
**45lb Sand Capacity**  
**4 Way Valve**  
**22 Piece Easy Hook-up Accessory Kit**  
**FULL COLOR RETAIL BOX**

**Model #APASFAL50**

# 1/2 HP 13" SAND & PUMP FILTER SYSTEM SCHEMATICS



## Parts Listing

Ref. No.	Part No.	Description	QTY
1	98100-001	4-Way Valve	1
2	98101-001	Flange clamp	1
3	98102-001	O-ring	1
4	98103-001	Filter Tank	1
5	98104-001	Filter Assembly	1
6	98105-001	Drain plug	1
7	98106-001	Sand filter support base	1
8	98107-001	Screw and Nut	4
9	98108-001	O-ring	5
10	98109-001	Hose Adaptor	5
11	98110-001	Hose Clamp	2
12	98111-001	1 1/4" x 14" hose	1
13	98112-001	30GPM Pump	1
14	98113-001	Neck Fitting for Sand Fill	1
15	98114-001	Pressure gauge	1
16	98115-001	Plug W/ O-ring 1 1/2" for Valve	1
17	98116-001	Pump Filter Basket	1
18	98117-001	Bag of Accessories (A-H)	1
19	98120-001	AL50 Pump Lid O-ring	1
20	98119-001	AL50 Pump Clear Lid	1
21	98118-001	40mm-1-1/2" Soft Side Pool adapter & Seal	2

**For Parts Orders or Assistance**

**Toll Free - 877 278 2797**

**Fax - 888-610-3839**